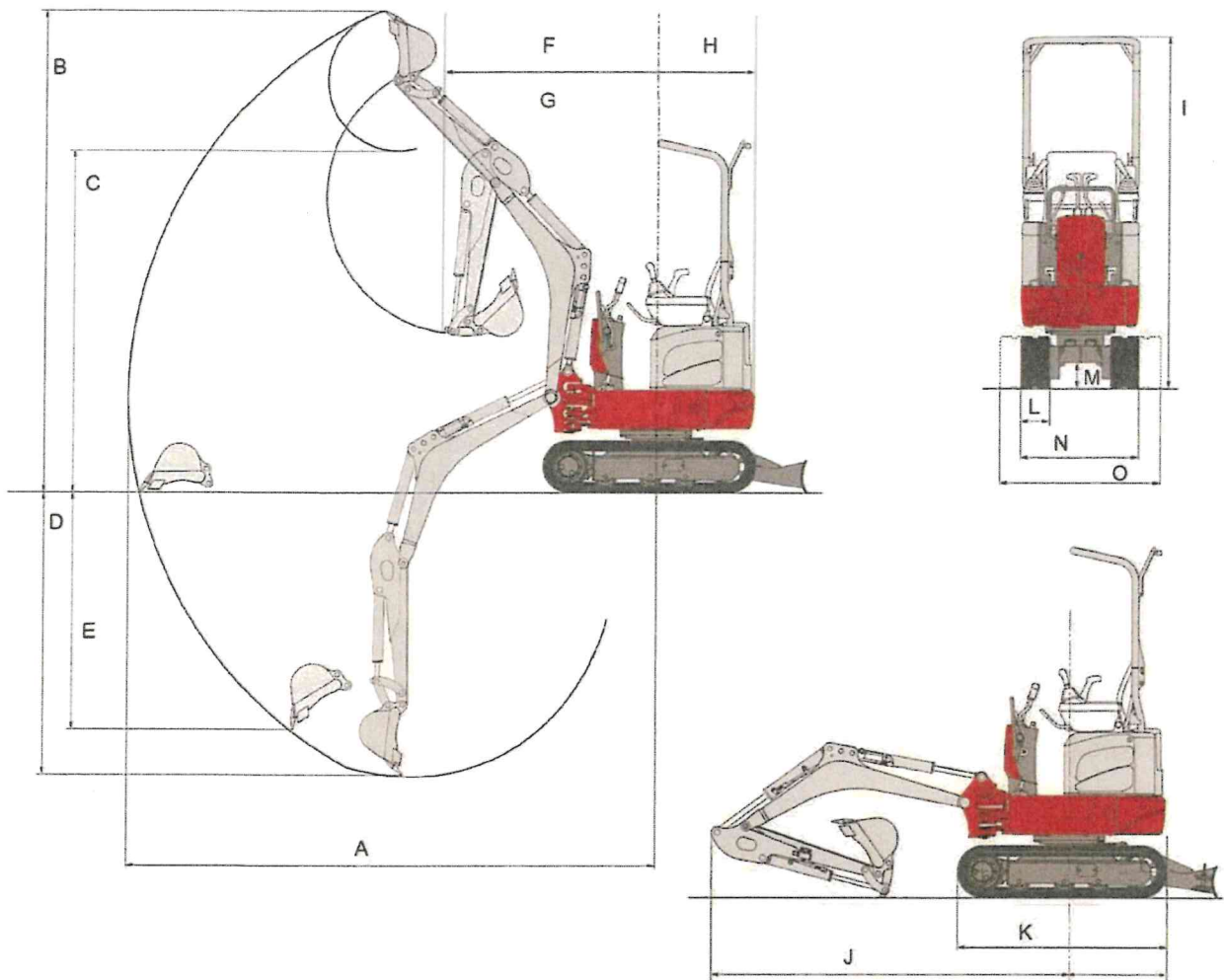


1 Ton Battery Micro Digger



MACHINE DIMENSIONS

A	Maximum Reach	10 ft 9.4 in	(3,285 mm)
B	Maximum Dig Height	9 ft 9.5 in	(2,985 mm)
C	Maximum Dump Height	6 ft 11.5 in	(2,120 mm)
D	Maximum Dig Depth	5 ft 9.1 in	(1,755 mm)
E	Maximum Vertical Dig Depth	4 ft 10 in	(1,475 mm)
F	Front Swing Radius	4 ft 4 in	(1,320 mm)
G	Front Swing Radius (Offset)	3 ft 2.5 in	(980 mm)
H	Tail Swing Radius	2 ft 0 in	(610 mm)
I	Transport Height	7 ft 2.6 in	(2,200 mm)
J	Transport Length	9 ft 8.3 in	(2,955 mm)
K	Undercarriage Length	4 ft 4.2 in	(1,325 mm)
L	Track Width	7.1 in	(180 mm)
M	Ground Clearance	6.2 in	(157 mm)
N	Track Width Retracted	29.5 in	(750 mm)
O	Track Width Extended	40.2 in	(1,020 mm)