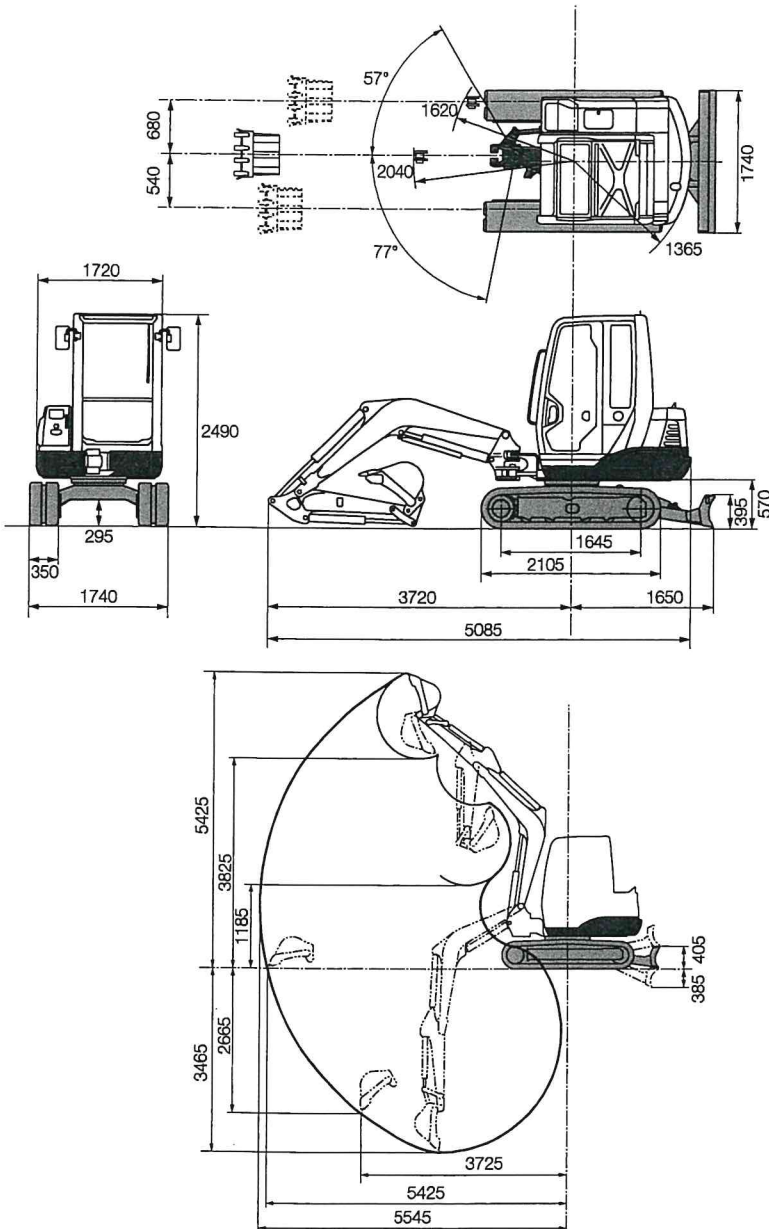


COMPACT EXCAVATOR

TB240



TB240 Standard UK Specification
 Long Arm/Rubber Tracks Dimensions Rubber/Steel

Engine	
Dimensions & Weight	
Operating Weight inclusive of bucket and fuel (kg)	4060
Overall Length (mm) for transport	5085
Width (mm)	1740
Height (mm)	2490
Ground Clearance (mm)	295
Min. Front Swing Radius (mm)	1620
Slew Radius (mm)	1365
Dozer Blade (W x H) (mm)	1740 x 395
Operating Information	
Max Digging Depth (mm)	3465
Max Dump Height (mm)	3825
Max Reach at Ground Level (mm)	5425
Max Reach at Vertical Digging Depth (mm)	3725
Max Bucket Digging Force (kN)	30.8
Max Arm Digging Force (kN)	18.3
Hydraulic System	
Set Pressure (bar)	240
Pump Type	Variable Displacement
Swing System	
Boom Swing Angle (R/L)	57°/77°
Slew Speed (rpm)	4.6
Slew Motor	Constant Volume Piston Motor
Slew Brake	Disc
Undercarriage	
Traction Motor	Variable Displacement
Traction Drive	Planetary Epicyclic Gear
Traction Brake	Wet Friction Plate
Track Width (mm)	350
Ground Contact Length (mm)	1645
Ground Pressure (kpa)	31.1
Travel Speed (km/h)	2.9/5.3
Maximum Gradeability	30°
Capacities	
Hydraulic System (l)	74
Fuel Tank (l)	70
Engine Lubrication (l)	7.4
Cooling System (l)	9