

BROKK

60^{II}

UPGRADED!



More power in minimal spaces

THE BROKK 60^{II} is the perfect solution for safe and effective demolition in confined spaces. It is the smallest model in the Brokk family – actually the smallest remote-controlled demolition machine in the world – yet at least 7-8 times as effective as handheld equipment. And the Brokk 60^{II} does not get tired. This combination of power, size and light weight works wonders in places where it previously was impossible to carry out mechanized demolition work. Compared to its' older brother – Brokk 50 – the Brokk 60^{II} boosts productivity with 25 percent

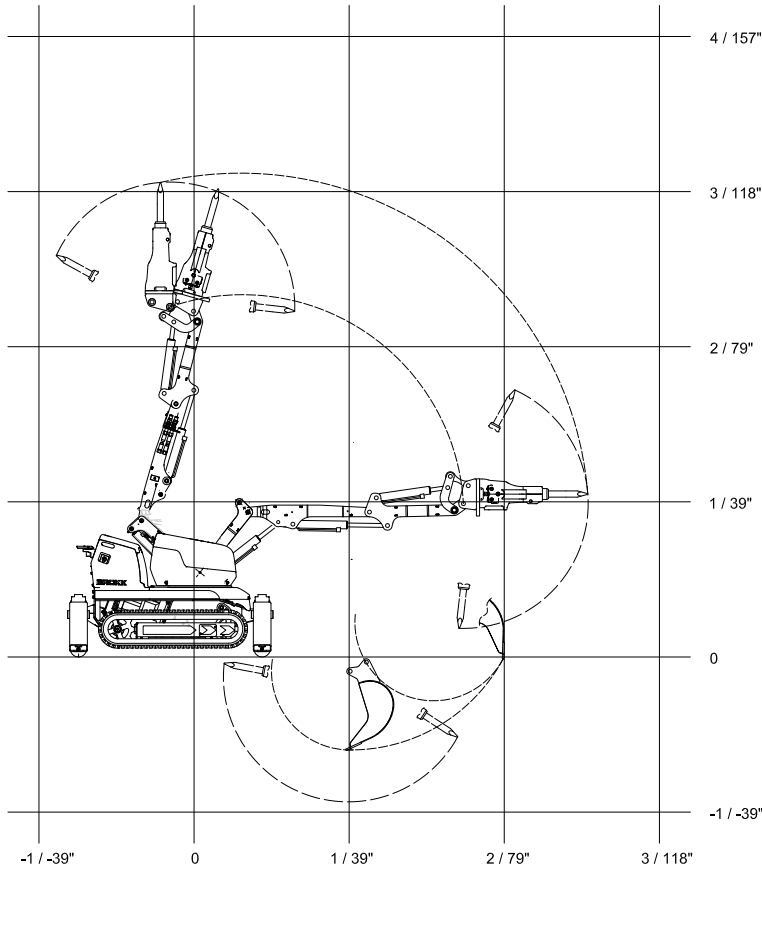
with a stronger breaker, faster movements, a new control system and an even lower profile. The low weight makes it ideal for indoor work on weak floors and it can be transported in an ordinary passenger elevator. It can even “walk” up and down staircases. On top of everything else, the Brokk 60^{II} has a more durable design with protective steel plates, larger-dimensioned components and more industrial service features.

One size bigger in everything. Except for the size.

APPLICATIONS

Demolition work in confined spaces and small-scale maintenance and refurbishing work.

RANGE



TECHNICAL DATA

Hydraulic breaker in illustrations SB 52
 Load and stability diagram can be ordered from Brokk AB

Performance

Slewing speed 6.5 sec/245°
 Transport speed, max. 2.5 km/h; 0.7 m/s; 1.6 mph
 Incline angle, max. 30°

Hydraulic system

Hydraulic system capacity 27 l; 7.1 US gal
 Pump type Gear pump with fixed displacement
 System pressure 18 MPa; 2,610 psi
 Pump flow max 50 Hz and 60 Hz 22 l/min; 5.8 US gal/min

Electric motor

Type ABB
 Output* 5.5 kW
 Current* 14 A
 Starting device Direct start

Control system

Control type Portable control box
 Signal code Digital
 Transfer Cable/Radio

Weight

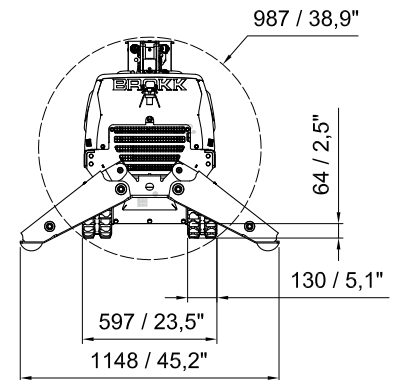
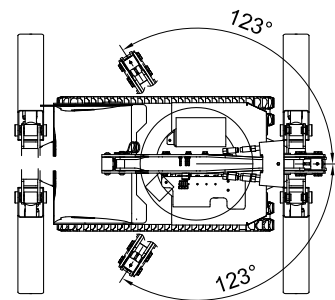
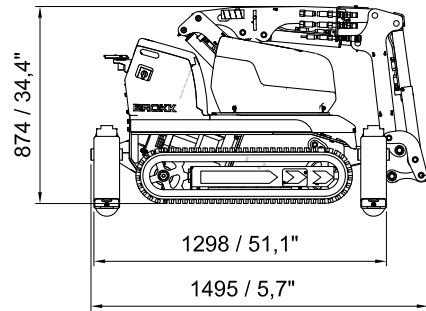
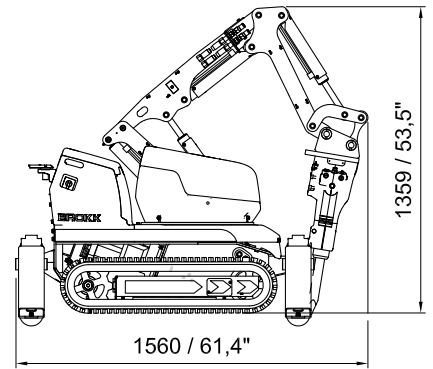
Weight of base machine excl. attachment 500 kg; 1,102 lbs
 Recommended max. attachment weight 80 kg; 175 lbs

Noise level

Sound power level L_{wa}, measured according to directive 2000/14/EC 90 dB(A)

m / in

SIZE



TOOLS



* Valid for 400V/50Hz